

ACA-CE03-100

Accesorio cable sensor. Clip metálico con sujeción tipo grapa. 3-8mm. 100 ud.

Edge Clip

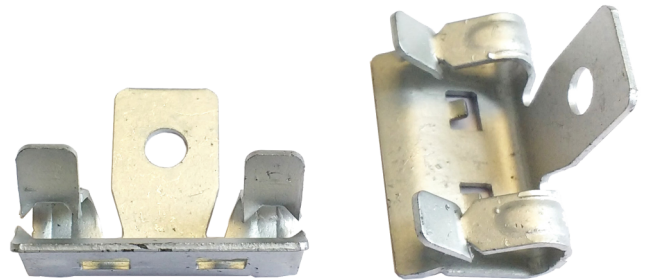
The ACA-CE series "Edge" clip is designed to secure linear heat sensor cable to metal structures such as girders, steel sections, angle bars, floating roof storage tank rim seals, foam dams etc. It is available to mount on steelwork of differing thickness and provides a stand-off for the sensor cable ensuring rapid response.

Installation

A fixing hole in the clip allows the securing of the sensor cable. The sensor cable should be secured to the clip with a silicone sleeve (ACA-RS) and tie wrap (ACA-TW) of suitable rating.

The fixing hole can also allow the fixing of a distance piece (I-Bracket) to extend the position of the sensor cable.

Recommended spacing: 1m



Details

- Easy installation of linear heat cable
- For use on metal structures like girders, steel sections, angle bars, floating roof storage tank rim seals, foam dams etc.
- Excellent resistance to corrosion and heat
- Available in spring steel
- Available in quantities of 100

ACA-CE03-100

Accesorio cable sensor. Clip metálico con sujeción tipo grapa. 3-8mm. 100 ud.

Technical specifications

Físico

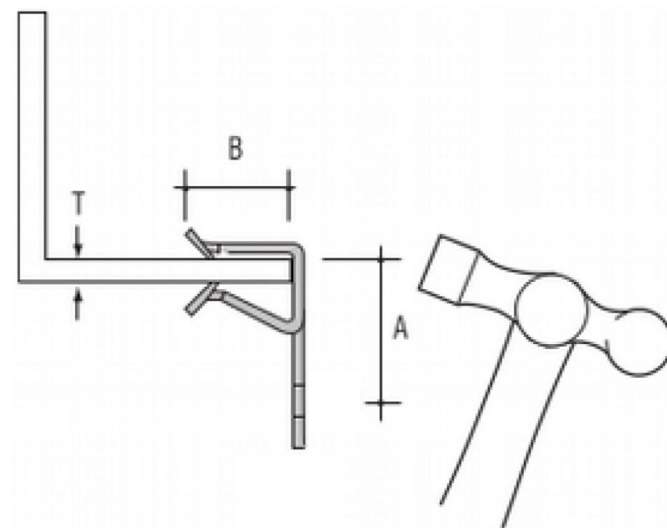
Dimensiones físicas	18 x 20 mm (0.7 x 0.8")
Peso neto	1.7 kg 3.7 lbs
Material	Acero para Muelles

Medioambiental

Environment	Interior, Exterior
-------------	--------------------

- ACA-CE03-100

Dimensions (A x B) *	18 x 20.3mm (0.7 x 0.8")
Size (O) *	3-8mm (2/16")
Weight	1.7kg (3.7lbs)
Material	Spring Steel
Quantity	100



Como empresa innovadora, Carrier Fire & Security se reserva el derecho de modificar las especificaciones de los productos sin previo aviso. Para conocer las últimas especificaciones de los productos, visite la Web de es.firesecurityproducts.com o póngase en contacto con su comercial.

Last updated on 24 August 2022 - 10:22