

# ABT-S2010

**Complete fire ceiling speaker Power: 10W, 100V, (diameter 20 cm)**

## Overview

---

Ceiling mounted fire alarm ABT-S2010 and ABT-S2710 loudspeakers are designed for operations at high acoustic levels and the highest reduction in power supply. Actual wide band high efficiency ensures the best understanding of verbal messages. Their parameters have been carefully selected to comply with false ceiling applications, both at standard and considerably elevated ceiling-to-floor distance.

Thanks to the most advanced technologies the S series loudspeakers combine excellent acoustic parameters and high aesthetics with resistance to mechanical damages and varying weather conditions. They are distinguished by easy and quick installation.

Quality standards and audio characteristics have been confirmed through tests and trials in an anechoic chamber, resistance and integrity testing equipment, as well as chambers for resistance to weather and air humidity testing.

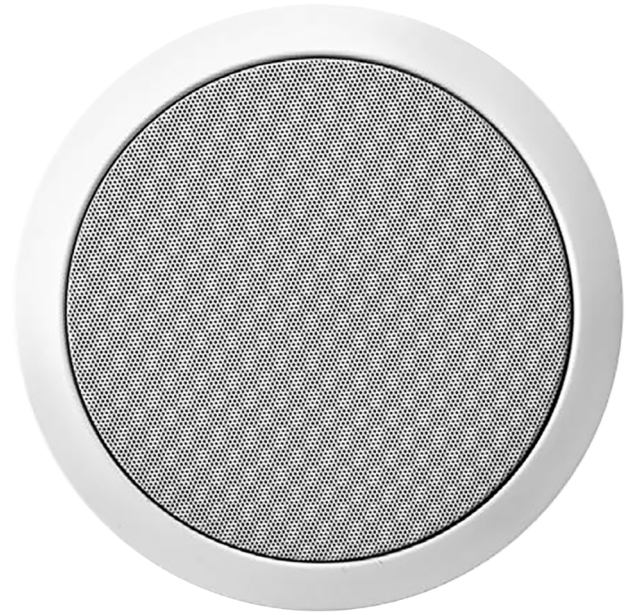
The need to maintain the best acoustic parameters, even with easily installed fire-protecting screens, was the idea underlying the design process. The S series loudspeakers ensure a balanced sound which is extremely important in emission of highly understandable speech and reliable music reproduction.

The series of ceiling-mounted S loudspeakers is noticeable thanks to its elegant looks. The loudspeaker part which becomes visible after the installation is protected by means of electroplating and covered by a common and aesthetic white paint coat (RAL 9003) – optionally available other colours (RAL palette).

The entire S series is equipped with a standardized fire dome made of soft steel and supplied with two cable penetrations with rubber glands. Special jig for sling assembling facilitates quick installation. The delivery comprises the 1-metre long sling. Two ceramic blocks and fireproof wiring coupled with temperature limit fuse are located under the screen. This solution ensures 100% protection of the sound-transmitting line from any break or short-circuits which may be produced as a result of loudspeaker burn. The individual power rating is selected by means of connection with applicable transformer branch.

S series loudspeakers equipped with fire dome and thermal protections entirely comply with EN 54-24 Standards. In order to ensure 100% consistency with the highest quality standards we test our loudspeakers following the most meticulous procedures that warrant high parameters of sound emission, safety, and reliability.

In spite of the fact our loudspeakers are designed for the highest reliability under fire conditions, their acoustic parameters and attractive low prices make them successful in any and all public address



## Details

---

- Compliance with EN 54-24
- Certificate of Conformity: 1488-CPR-0170/W

systems.

# ABT-S2010

Complete fire ceiling speaker Power: 10W, 100V, (diameter 20 cm)

## Technical specifications

---

### Físico

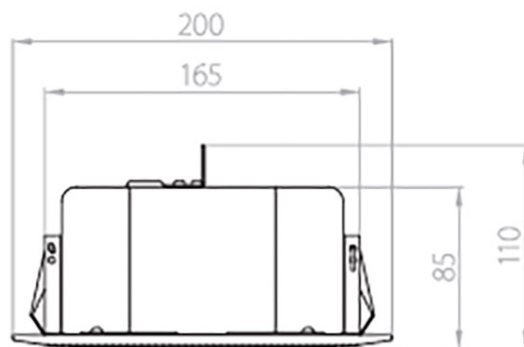
Dimensiones físicas	200 x 110 mm (Ø x H)
Peso neto	1.4 kg
Color	Blanco (RAL 9003)
Posición de montaje	Techo
Material de la carcasa	Acero

### Medioambiental

Clasificación IP	32
------------------	----

### Regulatory

Normativas	EN54-24
------------	---------



Como empresa innovadora, Carrier Fire & Security se reserva el derecho de modificar las especificaciones de los productos sin previo aviso. Para conocer las últimas especificaciones de los productos, visite la Web de [es.firesecurityproducts.com](http://es.firesecurityproducts.com) o póngase en contacto con su comercial.

Last updated on 5 April 2023 - 18:37