

# ACA-CE02-025(KIT)

**Accesorio cable sensor. ACA-CE02-025 + ACA-RS-025. 25 ud.**

## Edge Clip

---

The ACA-CE series "Edge" clip is designed to secure linear heat sensor cable to metal structures such as girders, steel sections, angle bars, floating roof storage tank rim seals, foam dams etc. It is available to mount on steelwork of differing thickness and provides a stand-off for the sensor cable ensuring rapid response.

The ACA-CE02-025(KIT) combines the ACA-CE02-025 clip and ACA-RS-025 sleeve into a single order item for customer convenience.

## Installation

---

A fixing hole in the clip allows the securing of the sensor cable. The sensor cable should be secured to the clip with a silicone sleeve (ACA-RS) and tie wrap (ACA-TW) of suitable rating.

The fixing hole can also allow the fixing of a distance piece (I-Bracket) to extend the position of the sensor cable.

Recommended spacing: 1m



## Detalles

---

- Easy installation of linear heat cable
- For use on metal structures like girders, steel sections, angle bars, floating roof storage tank rim seals, foam dams etc.
- Excellent resistance to corrosion and heat
- Available in spring steel
- Available in quantities of 25
- Supplied with silicone protection sleeves

# ACA-CE02-025(KIT)

Accesorio cable sensor. ACA-CE02-025 + ACA-RS-025. 25 ud.

## Especificaciones técnicas

### Físico

|                     |                         |
|---------------------|-------------------------|
| Dimensiones físicas | 16 x 13 mm (0.6 x 0.5") |
| Peso neto           | 426 g<br>0.9 lbs        |
| Material (caja)     | Acero para Muelles      |

### Medioambiental

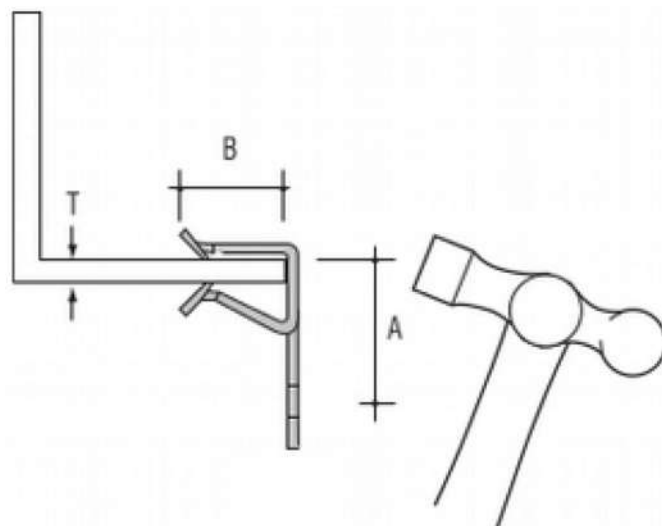
|         |                    |
|---------|--------------------|
| Entorno | Interior, Exterior |
|---------|--------------------|

### - ACA-CE02-025

|                      |                          |
|----------------------|--------------------------|
| Dimensions (A x B) * | 16 x 12.5mm (0.6 x 0.5") |
| Size (O) *           | 1.5-3mm (1/16")          |
| Weight               | 425g (0.9lbs)            |
| Material             | Spring Steel             |
| Quantity             | 25                       |

### - ACA-RS-025

|                        |                               |
|------------------------|-------------------------------|
| Dimensions (l x w x h) | 25 x 25 x 1mm (1 x 1 x 0.04") |
| Weight                 | 20g (0.04lbs)                 |
| Material               | Silicone                      |
| Quantity               | 25                            |



Como empresa innovadora, Carrier Fire & Security se reserva el derecho de modificar las especificaciones de los productos sin previo aviso. Para conocer las últimas especificaciones de los productos, visite la Web de [es.firesecurityproducts.com](http://es.firesecurityproducts.com) o póngase en contacto con su comercial.

Last updated on 4 January 2024 - 13:42